

Features

- Reverse polarity protection and overload protection(DC)
- Operation confirmed easily by a red indicator lamp
- Wide range of applications(for replacement of micro switch, limit switch, etc.)
- Ip67 (IEC standard)
- Built in the sensitivity Adjustment VR
- Enhanced noise - Resistance by using exclusive IC (DC Power)



	Please read "Caution for your safety" In operation manual before using.
--	---

Ordering information (Cylindrical DC power switch)

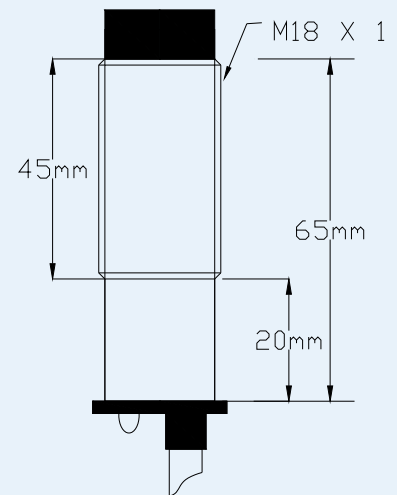
PPS	B	BR	D	18	P	O	30	W	02
Photo-electric Sensor	B-Brass P-Plastic	BR-Barrel BL-Block SL-Slot	D-Diffuse T-Through R-Retro Refelective	Indicate size(mm) barrel dia.	P-PNP N-NPN	O-NO C-NC D-NO/NC	20-200mA 30-300mA 50-500mA (Load current)	W-Wire C-Connector	Cable length (mtr.)

Specifications (Diffuse Beam)

Model Type	PPS-18
Dimensions (mm)	M18 X 1*
Housing material	Brass, Nickel-plated
Indicator	Red LED
Power supply	10 ... 30 V DC
Control output	300mA
Leakage current	Max. 0.9mA
Switching output	PNP or NPN
Output function	NO or NC
Light Source	Infrared LED (modulated)
Sensing distance (mm)	50 ... 200 mm (Adjustable)**
Response frequency Hz	100
Hysteresis	10 ... 15% of Sn
Ambient humidity	35 ... 95% RH
Ambient temperature	0 deg. C. to 70 deg. C.

* Barrel thread pitch 1mm
 ** For Snow white Paper

Please contact factory for customize product
 Specifications are subject to change without prior intimation



Standard Model:

- | | |
|--------------------|--------------------|
| PPS-BBRD18-PO30W02 | PPS-BBRD18-PC30W02 |
| PPS-BBRD18-NO30W02 | PPS-BBRD18-NC30W02 |

Connection detail

