

Features

- Reverse polarity protection and overload protection(DC)
- Operation confirmed easily by a red indicator lamp
- Wide range of applications(for replacement of micro switch, limit switch, etc.)
- Ip67 (IEC standard)
- Built in the sensitivity Adjustment VR
- Enhanced noise - Resistance by using exclusive IC (DC Power)



	Please read "Caution for your safety" In operation manual before using.
--	---

Ordering information (Cylindrical DC power switch with Connector)

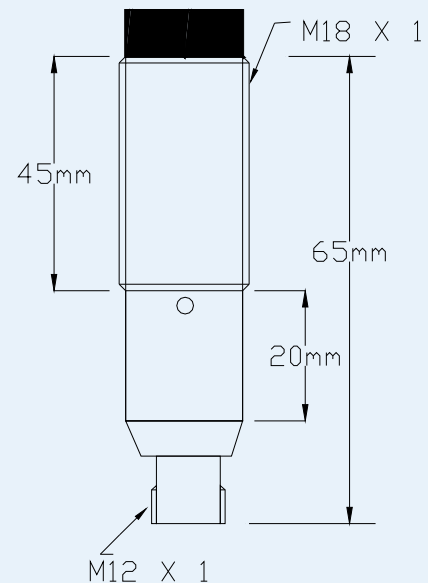
PPS	B	BR	D	18	P	O	30	C	12
Photo-electric Sensor	B-Brass P-Plastic	BR-Barrel BL-Block SL-Slot	D-Diffuse T-Through R-Retro Refective	Indicate size(mm) barrel dia.	P-PNP N-NPN	O-NO C-NC D-NO/NC	20-200mA 30-300mA 50-500mA (Load current)	W-Wire C-Connector	Connector Size

Specifications (Diffuse Beam)

Model Type	PPS-18
Dimensions (mm)	M18 X 1*
Housing material	Brass, Nickel-plated
Indicator	Red LED
Power supply	10 ... 30 V DC
Control output	300mA
Leakage current	Max. 0.9mA
Switching output	PNP or NPN
Output function	NO or NC
Light Source	Infra Red (Led modulated)
Sensing distance (mm)	50 ... 200 mm (Adjustable)**
Response frequency Hz	100
Hysteresis	10 ... 15% of Sn
Ambient humidity	35 ... 95% RH
Ambient temperature	0 deg. C. to 70 deg. C.

* Barrel thread pitch 1mm
 ** For Snow white Paper

Please contact factory for customize product
 Specifications are subject to change without prior intimation



Standard Model:

- | | |
|--------------------|--------------------|
| PPS-BBRD18-PO30C12 | PPS-BBRD18-PC30C12 |
| PPS-BBRD18-NO30C12 | PPS-BBRD18-NC30C12 |

Connection detail

