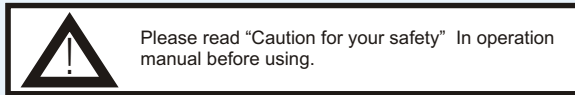


## Features

- Reverse polarity protection and overload protection(DC)
- Wide range of applications( for replacement of micro switch, limit switch, etc.)
- Ip67 (IEC standard)
- Enhanced noise - Resistance by using exclusive IC (DC Power)
- Application: Dancing , CAM profile



## Ordering information (cylindrical Analogue DC power switch)

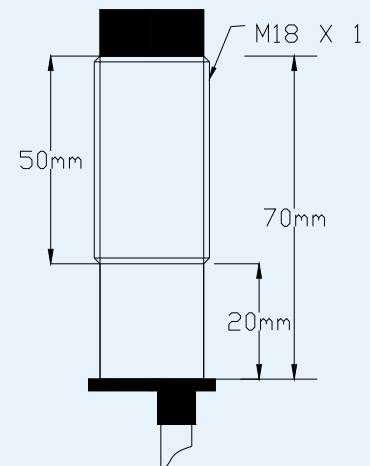
IPS	B	BR	N	18	V	ANS	W	02
Inductive proximity switch	B-Brass P-Plastic	BR-Barrel	N-Nonflush	Indicate size(mm) barrel dia.	V-Voltage I-Current	ANS-Analog	W-Wire	Cable length (mtr.)

## Specifications

Model Type	IPS-18
Dimensions (mm)	M18 × 1*
Housing material	Brass, nickel-plated
Power supply	15V DC
Current Consumption	<15mA
Load Resistance	>= 4K7 Ohm
Output Type	Analogue
Output	0...10V DC(over Full range)
Sensing distance (mm)	2...7 mm
Response frequency Hz	1 KHz
Hysteresis	3 to 15%
Linearity Error	3 to 3.25%
Repeatability	0.03
Ambient humidity	35 ... 95% RH
Ambient temperature	0 deg. C. to 70 deg. C.

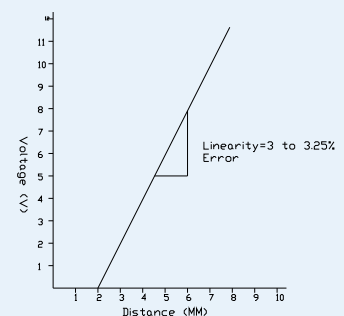
\* Barrel thread pitch 1mm

Please contact factory for customize product  
Specifications are subject to change without prior intimation



## Standard Model:

IPS-BBRN18-VANSW02  
IPS-BBRN18-IANSW02



## Connection detail

