

## Features

- Reverse polarity protection and overload protection(DC)
- Operation confirmed easily by a red indicator lamp
- Wide range of applications( for replacement of micro switch, limit switch, etc.)
- Ip67 (IEC standard)
- Enhanced noise - Resistance by using exclusive IC (DC Power)



Please read "Caution for your safety" In operation manual before using.

## Ordering information (cylindrical DC power switch)

IPS	B	BR	N	06	P	O	20	W	02
Inductive proximity switch	B-Brass	BR-Barrel	F-Flush	Indicate size(mm) barrel dia.	P-PNP N-NPN	O-NO C-NC	20-200mA 30-300mA (Load current)	W-Wire	Cable length (mtr.)

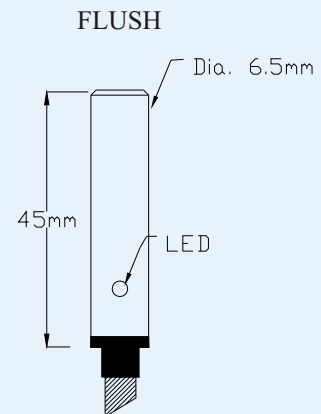
## Specifications

Model Type	IPS-06
Dimensions (mm)	Dia. 6.5 X 45 *
Housing material	Brass, nickel-plated
Indicator	LED
Power supply	10 ... 30 V DC
Control output	200mA
Leakage current	Max. 0.9mA
Switching output	PNP or NPN
Output function	NO or NC
Installation	Flush
Sensing distance (mm)	1
Response frequency Hz	1500
Hysteresis	10 ... 15% of Sn
Ambient humidity	35 ... 95% RH
Ambient temperature	0 deg. C. to 70 deg. C.

\* Threadless Barrel

Please contact factory for customize product

Specifications are subject to change without prior intimation



## Standard Model:

IPS-BBRF06-PO20W02  
IPS-BBRF06-NO20W02

IPS-BBRF06-PC20W02  
IPS-BBRF06-NC20W02

## Connection detail

